

VOLTAGE: 12V DC

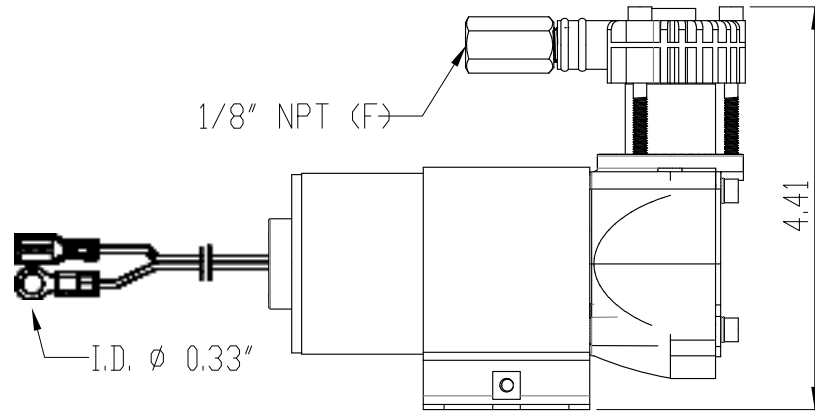
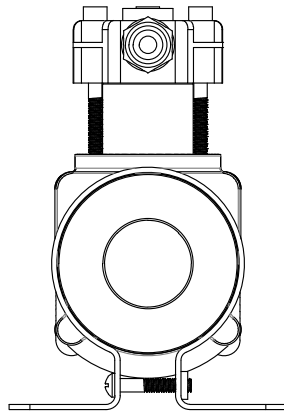
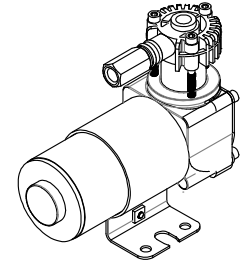
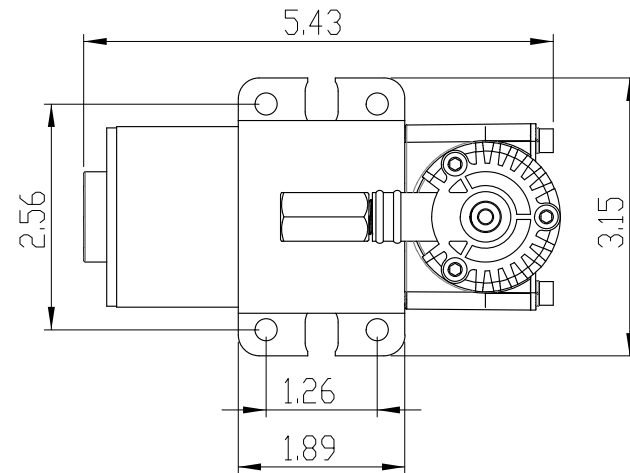
MOTOR TYPE: DC PERMANENT MAGNET

MAX FLOW RATE: 0.73 CFM

DUTY CYCLE: 9% @ 100 PSI

MAX WORKING PRESSURE: 120 PSI

MAX AMP DRAW: 11 AMPS



0.5 GALLON TANK		FILL TIME		PERFORMANCE DATA			UNLESS OTHERWISE SPECIFIED:			
0 - 105 PSI	1 Min. 08 Sec. (± 05 Sec.)	PSI	CFM	AMPS	DIMENSIONS ARE IN METRIC: TOLERANCES: FRACTIONAL ± ANGULAR: MACH ± BEND ± TWO PLACE DECIMAL ± THREE PLACE DECIMAL ±					
85 - 105 PSI	16 Sec. (± 03 Sec.)	0	0.73	7						
0 - 120 PSI	1 Min. 23 Sec. (± 05 Sec.)	40	0.51	9						
90 - 120 PSI	27 Sec. (± 03 Sec.)	90	0.28	10						
1.0 GALLON TANK		FILL TIME		120	0.21	9	INTERPRET GEOMETRIC TOLERANCING PER: MATERIAL FINISH DO NOT SCALE DRAWING			
0 - 105 PSI	2 Min. 20 Sec. (± 10 Sec.)	PROPRIETARY AND CONFIDENTIAL THE INFORMATION CONTAINED IN THIS DRAWING IS THE SOLE PROPERTY OF VIAIR CORPORATION. ANY REPRODUCTION IN PART OR AS A WHOLE WITHOUT THE WRITTEN PERMISSION OF VIAIR CORPORATION IS PROHIBITED.								
85 - 105 PSI	35 Sec. (± 05 Sec.)									
0 - 120 PSI	3 Min. 04 Sec. (± 10 Sec.)									
90 - 120 PSI	54 Sec. (± 05 Sec.)									
							TITLE: <b>AIR COMPRESSOR - 95C/12VDC</b>			
				DRAWN BY		DATE	SIZE	PART. NO.	REV	
				Khang		04/10/2015	A	00095	2	
				APPROVED BY		DATE	SCALE: 1:2		WEIGHT: 2.5 lbs	SHEET 1 OF 1
				Sammy						

5

4

3

2

1